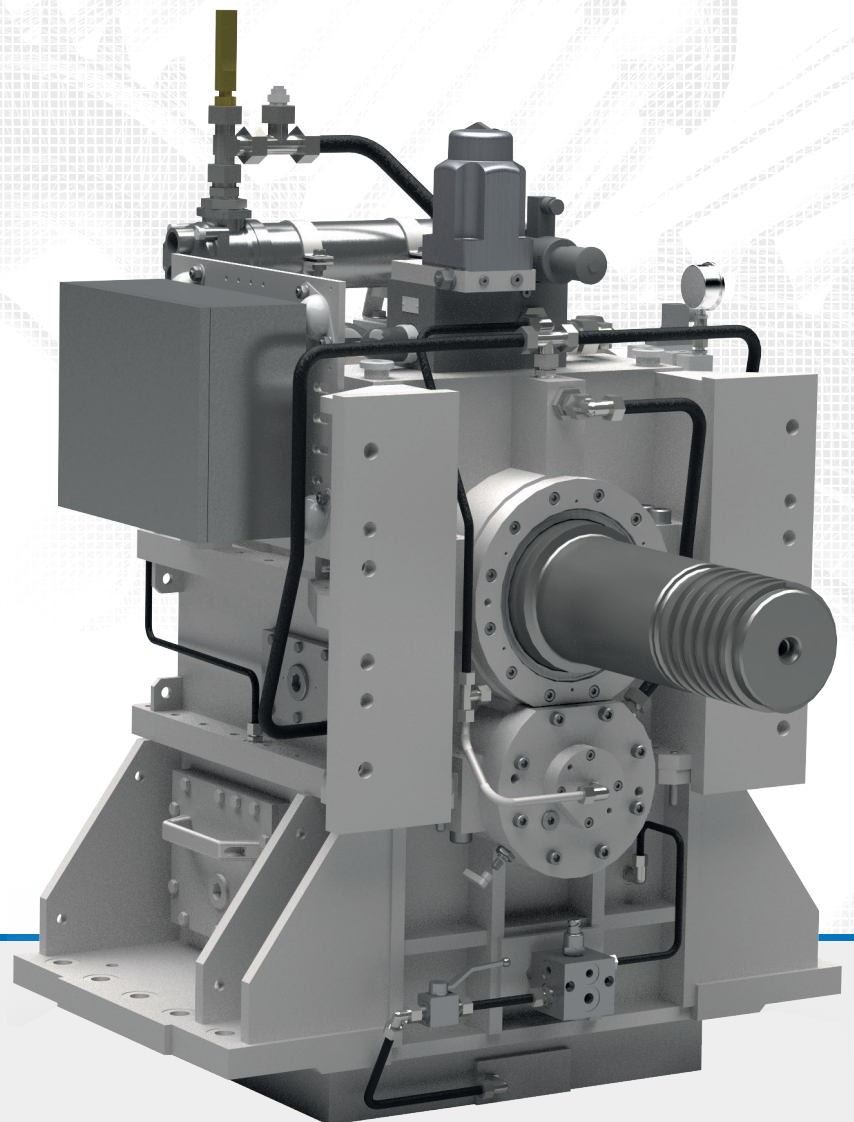


Gearbox  
**RDG/RDGL Series**



# RDG/RDGL Series

- RDG: REINTJES Dredging Gearbox, reduction gearbox to drive dredger pumps
- RDGL: REINTJES Dredging Gearbox, reduction gearbox to drive dredger pumps with disc clutch (German: mit Lamellenkupplung)

## Customer Benefits

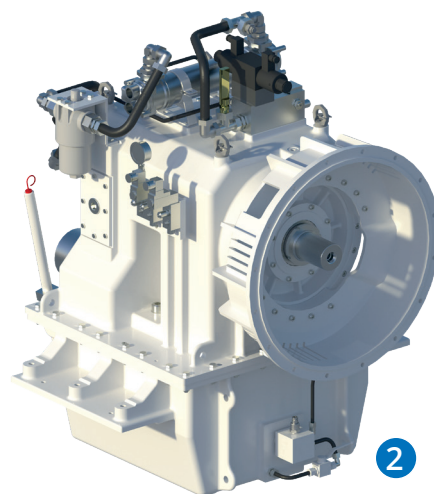
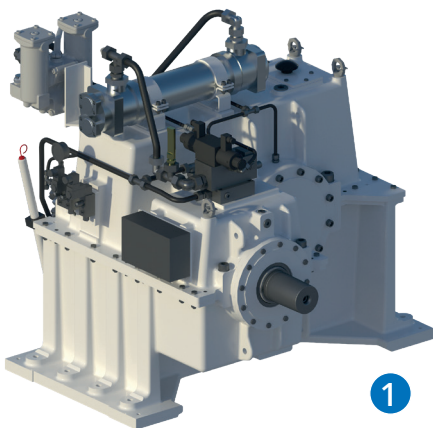
Gearboxes of the RDG/RDGL series have been especially designed for dredger applications such as dredging pumps installed inside the vessel as well as dredge pumps in use under water with closed coupled pump and engine.

We have over 80 years of experience in marine gearbox design and production and use state-of-the-art computation tools and production technologies. Owing to their design for specific areas of deployment, the reduction gearboxes with or without clutch of the RDG series offer various special advantages:

- High operating reliability and robustness
- Simple operation and maintenance
- Compact dimensions
- Proven REINTJES clutch design
- Propulsion gearbox and dredging gearbox from one supplier

## Options

- Output shaft with trapezoidal thread
- Slide bearings
- Flexible coupling
- Mechanical overload protection
- Electronic overload protection for gearboxes with built-in clutch
- Horizontal offset (1)
- Turn drive mech./elect.
- SAE Bell housing for diesel engine connection (2)
- For gearboxes with trapezoidal thread: custom made pump adapter housing



## Power Ratings

	kW min.	kW max.	BHP min.	BHP max.
RDG/RDGL 250	190	500	255	671
RDG/RDGL 320	315	615	422	825
RDG/RDGL 355	405	800	543	1073
RDG/RDGL 400	555	1400	744	1877
RDG/RDGL 500	650	1905	872	2555



# RDG Series

Reduction gearbox with roller bearings without clutch  
Vertically offset

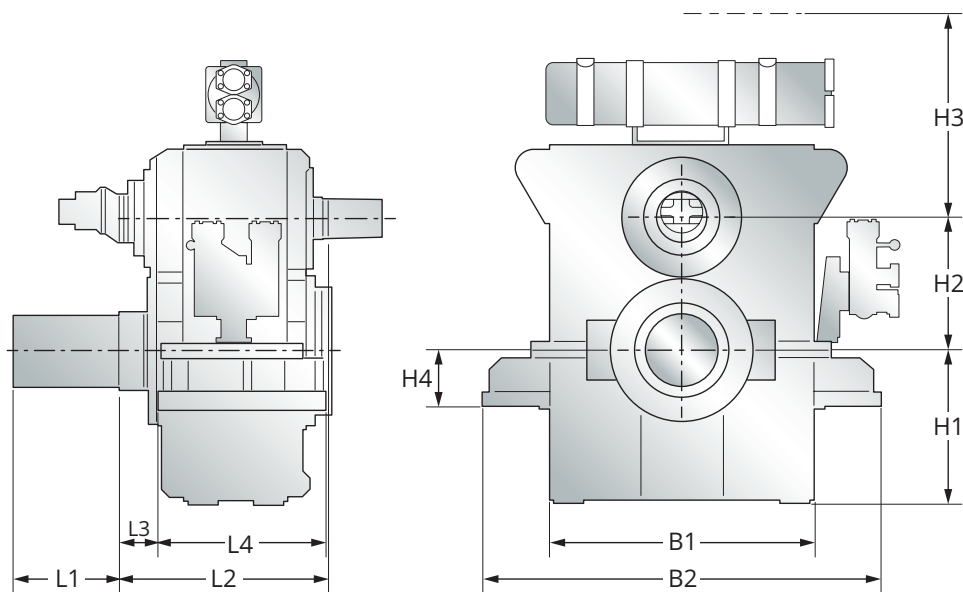
Specified p/n max with application factor, application factor up to 2.5, above only on request  
Dimensions and weights not binding

Size	250	250	320	320	355	355	400	400	450	450	500	500
Addition <sup>1)</sup>	A		A		A		A		A		A	
i max	3.696	3.409	4.682	4.136	4.727	3.818	4.409	4.217	4.87	4.208	4.81	4.545
p/n max (kW/rpm)	0.2	0.25	0.26	0.33	0.33	0.53	0.55	0.66	0.67	0.94	0.94	1.14

## Dimensions (mm)

L1	160	160	200	200	240	240	280	280	300	300	340	340
L2	405	410	443	433	515	525	595	590	600	595	641	630
L3	9	9	-15	-15	33	33	26	26	7	7	-41	-35
L4	380	380	450	450	450	450	570	570	570	570	680	680
H1	290	290	355	355	385	385	420	420	460	460	510	510
H2	250	250	320	320	355	355	400	400	450	450	500	500
H3	650	650	680	680	700	700	750	750	800	800	850	850
H4	120	120	150	150	150	150	150	150	150	150	150	150
B1	530	530	640	640	700	700	800	800	900	900	1000	1000
B2	830	830	1000	1000	1060	1060	1150	1150	1250	1250	1400	1400
Dry Weight (kg) <sup>2)</sup>	650	660	1030	1050	1310	1350	1830	1860	2270	2300	2950	3020

1) Reinforced version | 2) Gearbox standard design



# RDGL Series

Reduction gearbox with roller bearings with clutch  
Vertically offset

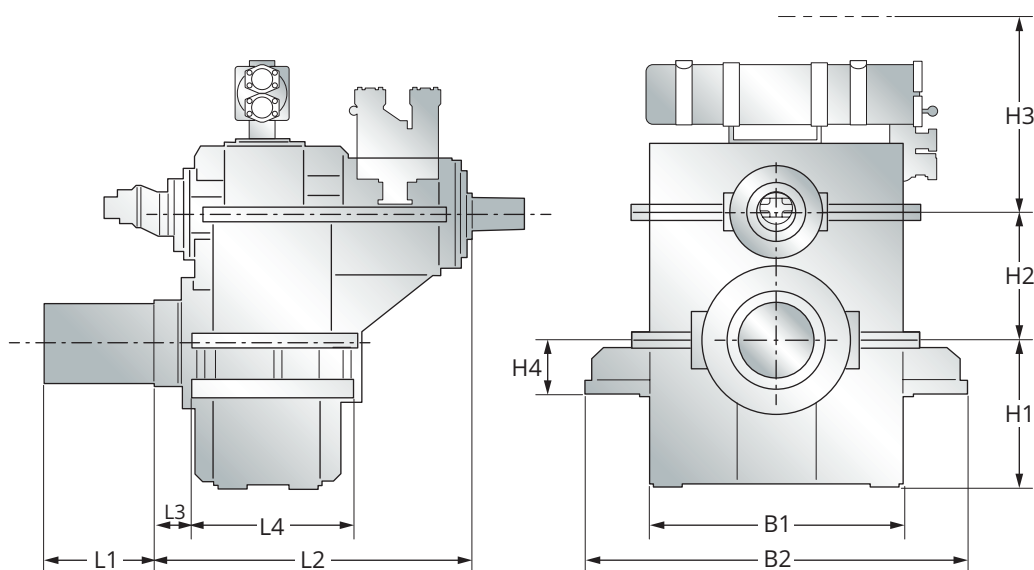
Specified p/n max with application factor, application factor up to 2.5, above only on request  
Dimensions and weights not binding

Size	250	250	320	320	355	355	400	400	450	450	500	500
Addition <sup>1)</sup>		A		A		A		A		A		A
i max	3.696	3.409	4.682	4.136	4.727	3.818	4.409	4.217	4.87	4.208	4.81	4.545
p/n max (kW/rpm)	0.2	0.25	0.26	0.33	0.33	0.53	0.55	0.66	0.67	0.94	0.94	1.14

## Dimensions (mm)

L1	160	160	200	200	240	240	280	280	300	300	340	340
L2	754.5	767.5	802	849.5	929	947	1013	1063	1053.5	1093	1119.5	1167.5
L3	9	9	-15	-15	33	33	26	26	7	7	-41	-35
L4	380	380	450	450	450	450	570	570	570	570	680	680
H1	290	290	355	355	385	385	420	420	460	460	510	510
H2	250	250	320	320	355	355	400	400	450	450	500	500
H3	650	650	680	680	700	700	750	750	800	800	850	850
H4	120	120	150	150	150	150	150	150	150	150	150	150
B1	530	530	640	640	700	700	800	800	900	900	1000	1000
B2	830	830	1000	1000	1060	1060	1150	1150	1250	1250	1400	1400
Dry Weight (kg) <sup>2)</sup>	930	950	1360	1430	1760	1840	2350	2410	2850	2940	3650	3780

1) Reinforced version | 2) Gearbox standard design





This document and any data contained herein are subject to modifications or updates at any time and are always non-binding. The data serve informational purposes and cannot be guaranteed in any way. In addition, any data and information will be assessed and determined individually for each project and purpose. This is necessary due to differing characteristics of each project. If this document is delivered in another language than English and in case of divergences of interpretation between the different language texts, the English text shall prevail. Pictures and logos courtesy from all owners of the respective trademarks and rights. Gearbox standard design is dry. All lists only show an extract of gearboxes available. Additional sizes, offset configurations and variations are available on request.

Dimensions and dry weights are approximate and may vary with housing or by input and ratio. Specifications are subject to change without notice. Please contact your REINTJES distributor for current information and binding data.

REINTJES GmbH  
Eugen-Reintjes-Straße 7  
31785 Hameln  
Germany

E-Mail: [info@reintjes-gears.de](mailto:info@reintjes-gears.de)  
Phone: +49 5151 1040

[www.reintjes-gears.com](http://www.reintjes-gears.com)

Scan here to  
download all our  
product brochures

